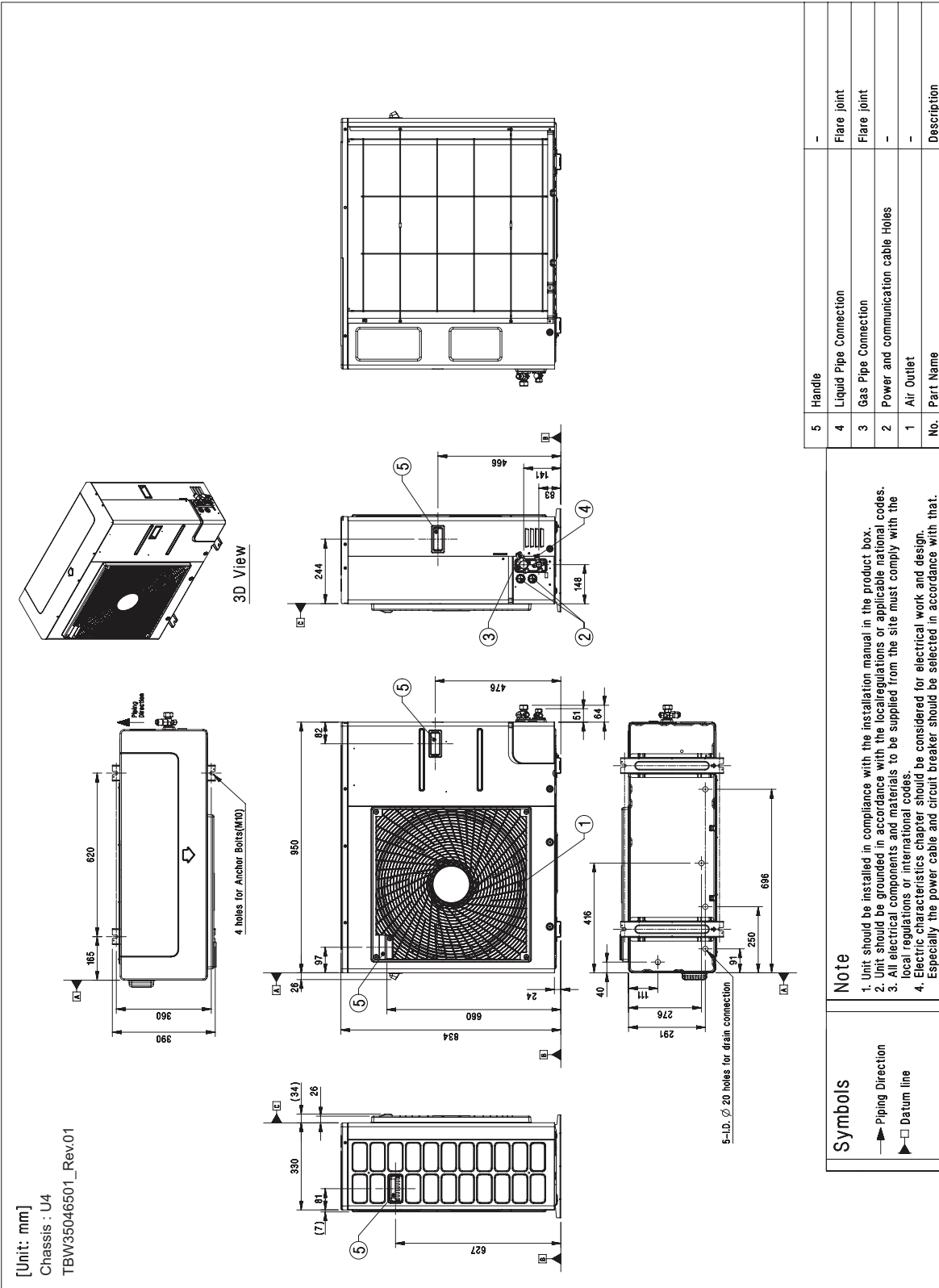


3.1 Dimensional Drawings

ZRUN040GSS0 / ZRUN050GSS0 / ZRUN060GSS0



Note

- Unit should be installed in compliance with the installation manual in the product box.
- Unit should be grounded in accordance with the local regulations or applicable national codes.
- All electrical components and materials to be supplied from the site must comply with the local regulations or international codes.
- Electric characteristics chapter should be considered for electrical work and design. Especially the power cable and circuit breaker should be selected in accordance with that.

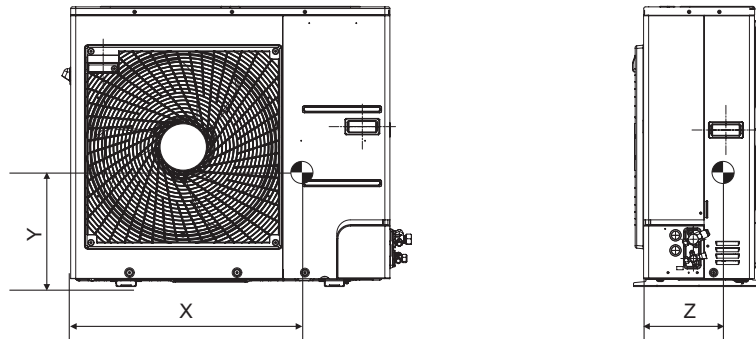
No.	Part Name	Description
5	Handle	-
4	Liquid Pipe Connection	Flare joint
3	Gas Pipe Connection	Flare joint
2	Power and communication cable Holes	-
1	Air Outlet	-

Symbols

- ▲ Piping Direction
- Datum line

3.2 Center of Gravity

ZRUN040GSS0 / ZRUN050GSS0 / ZRUN060GSS0



Model Name	X [mm]	Y [mm]	Z [mm]
ZRUN040GSS0 / ZRUN050GSS0 ZRUN060GSS0	740	340	170