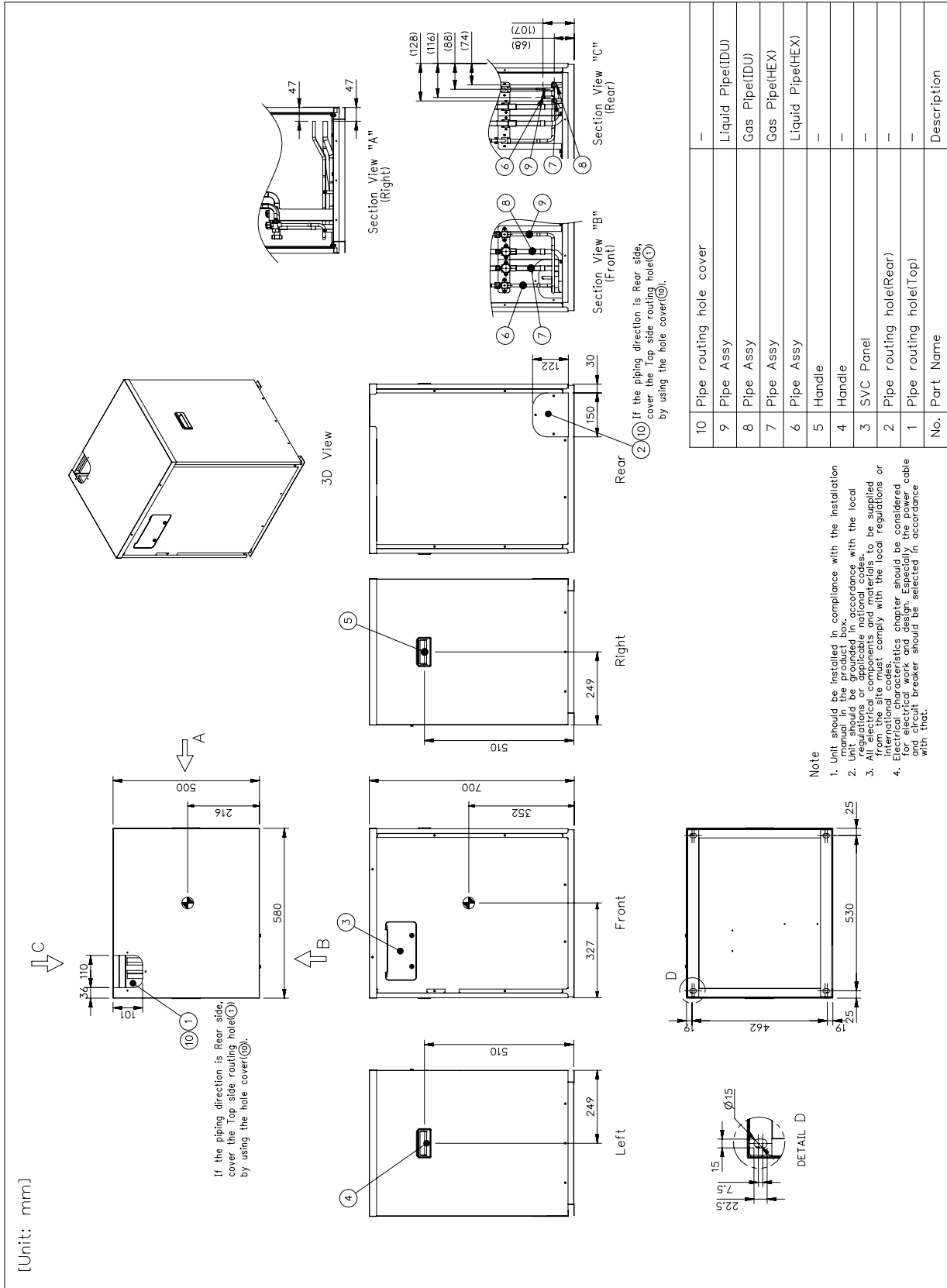


3. Dimensions

3.1 Dimensional Drawings

[K4 Chassis] ARUN050LMC0



3. Dimensions

[B8 Chassis] ARUN050GME0

